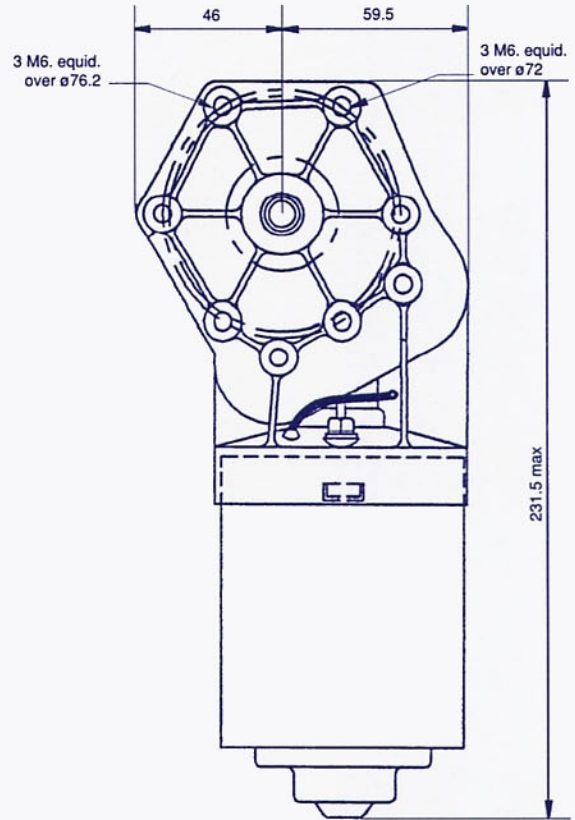
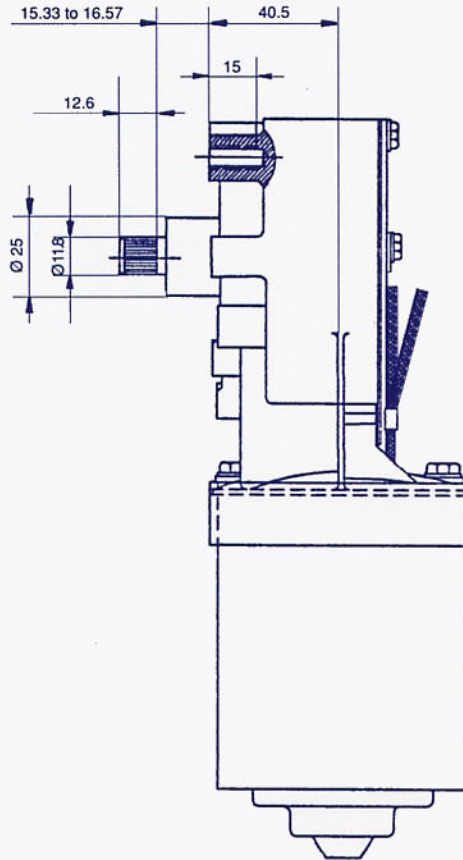
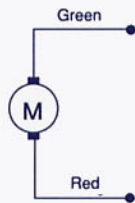


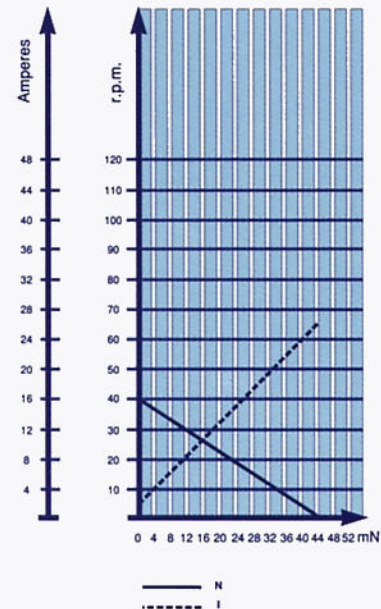
Gfd gear motor



Connections diagram



Test voltage : 13.5 Volts



- Working voltage : 12 V
- Starting torque : 45 mN
- Speed without load : 40 rpm
- Rotation : clockwise, anti-clockwise
- Working temperatures :
- 30° C to + 80° C
- Weight : 2.4 kg
- Gear ratio : 1/50
- Inductor : ferrite
- Operation : intermittent or continuous

Characteristics