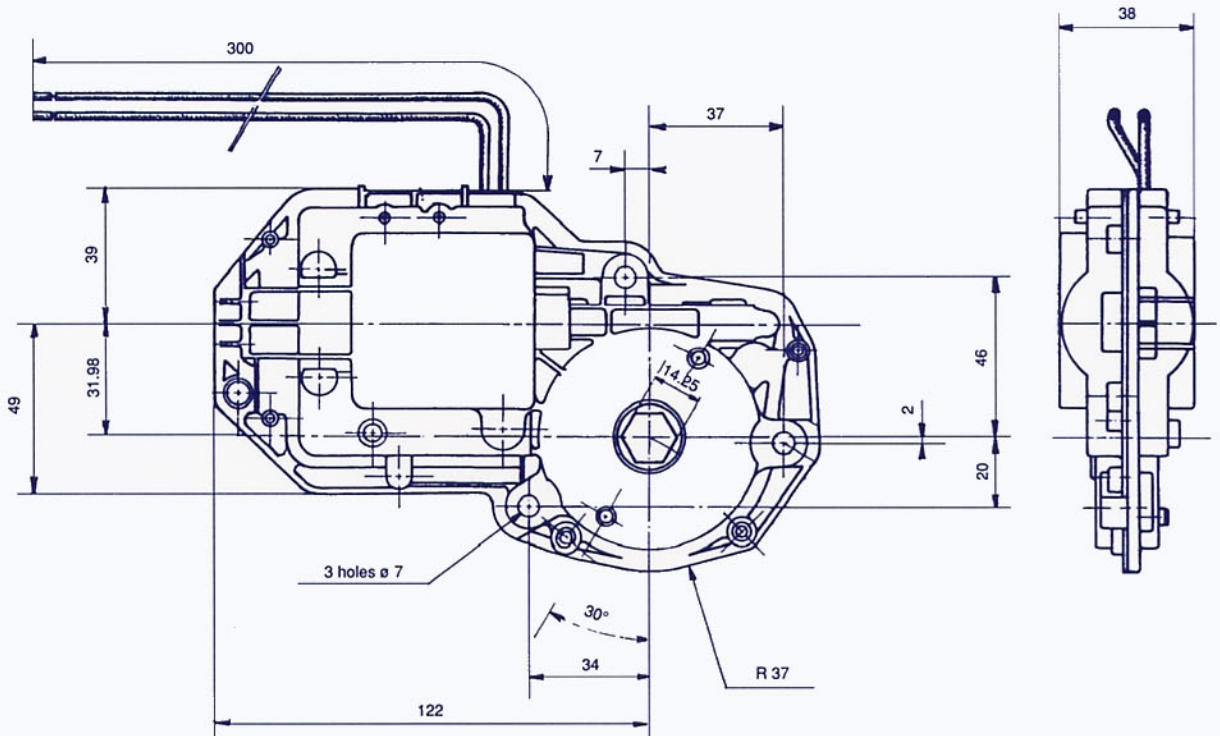
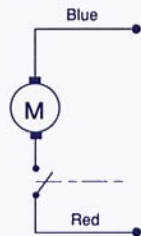


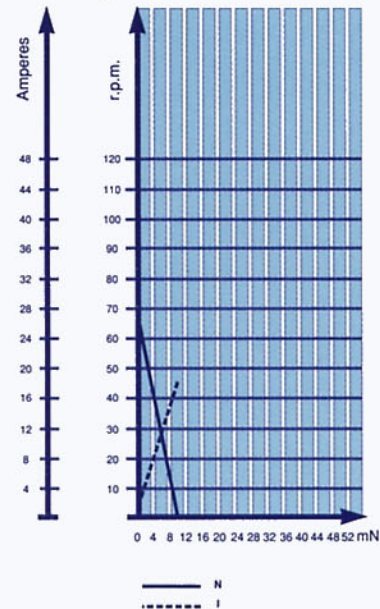
Flat gear motor



Connections diagram



Test voltage : 12 Volts



Characteristics

- Working voltage : 12 V
- Starting torque : 10.5 mN
- Speed without load : 62 rpm
- Rotation : clockwise, anti-clockwise
- Working temperatures :
 - 30° C to + 80° C
- Weight : 0.7kg
- Gear ratio : 1/71
- Inductor : ferrite
- Operation : intermittent or continuous
- Complete with thermal cutout

